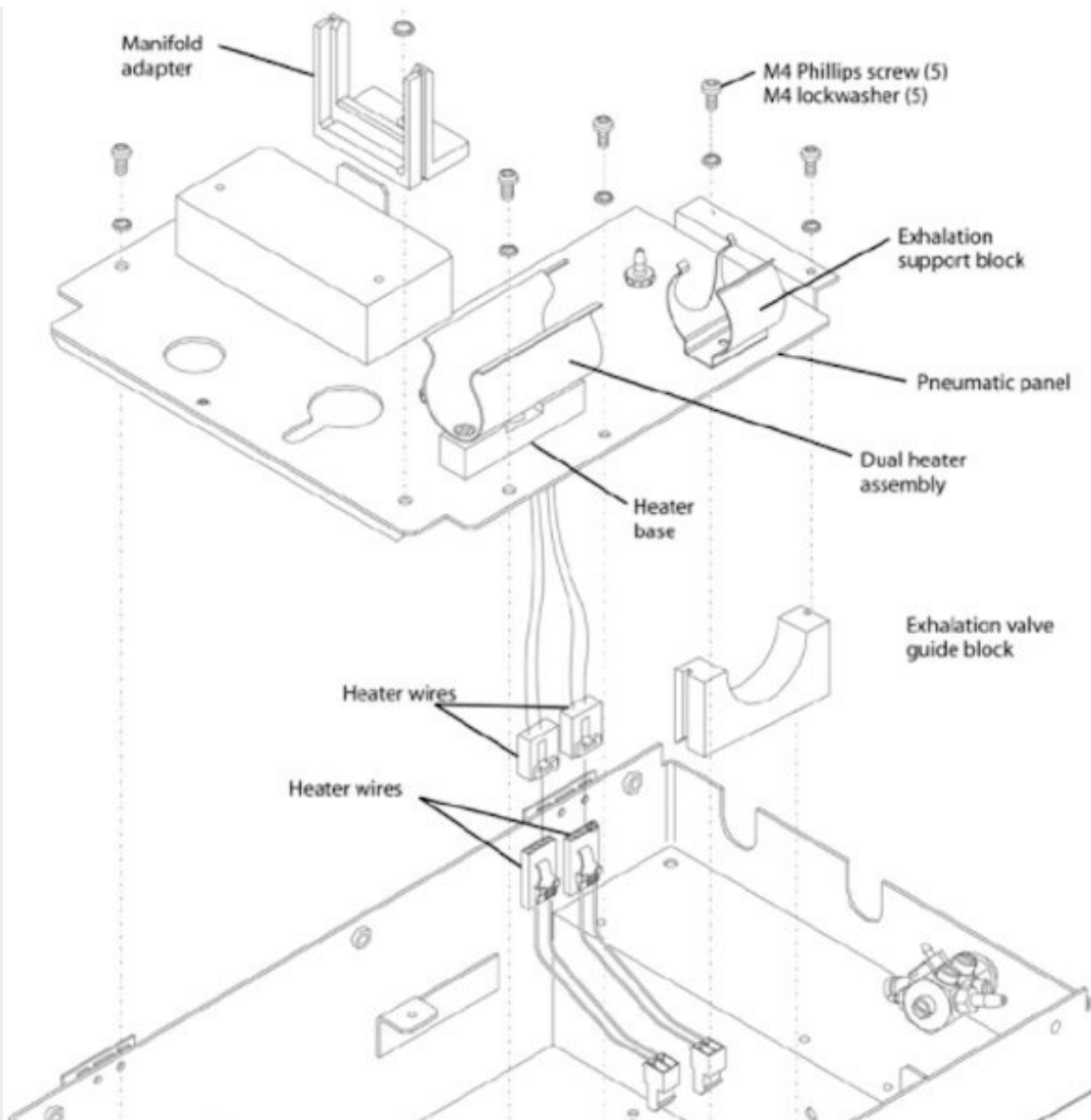




Newport e500 Pneumatic Panel Disassembly

This guide will show how to remove the pneumatic panel in the Newport e500 ventilator.

Written By: Seth Aguilar



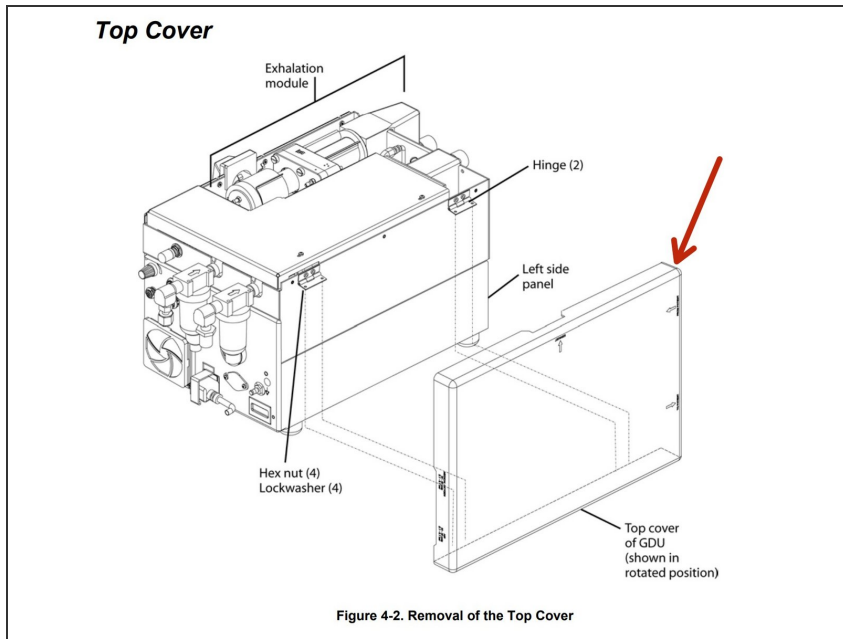
INTRODUCTION

This guide will show you how to remove the pneumatic panel for further disassembly and replacement. For some helpful tips, go to page 62 in the [user manual](#).

TOOLS:

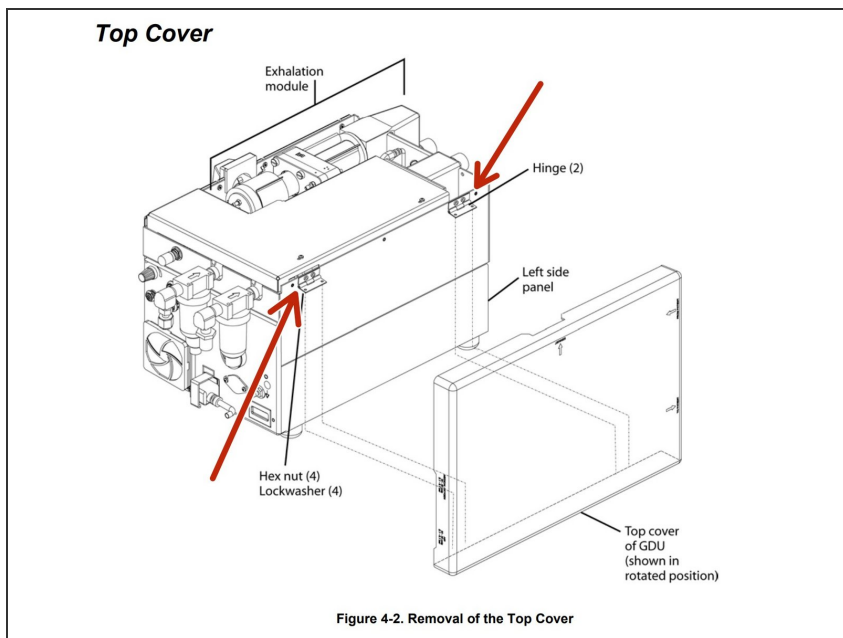
- [Torque Wrench](#) (1)
 - [Phillips #0 Screwdriver](#) (1)
-

Step 1 — Newport e500 Top Cover Disassembly



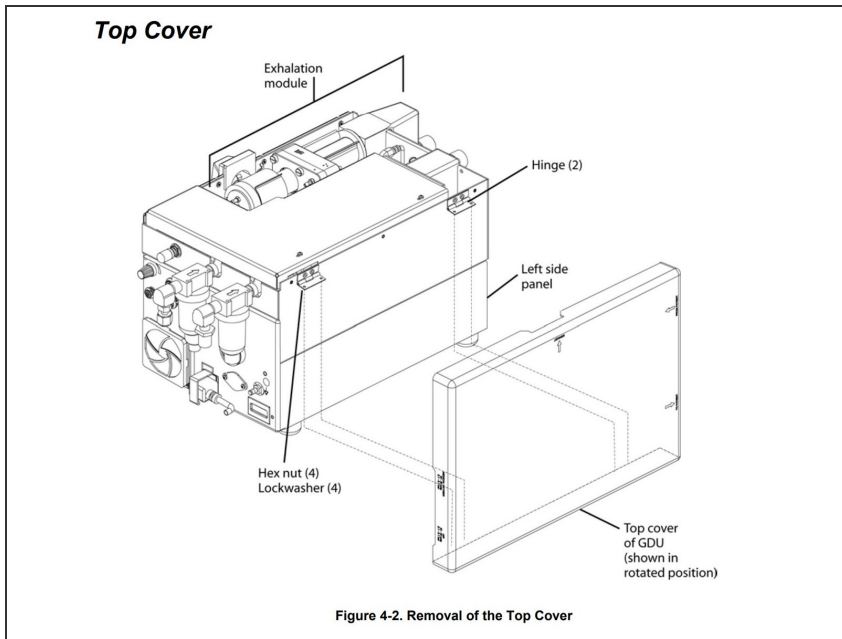
- Place device so that the top cover is facing you.
- Open the top cover.

Step 2



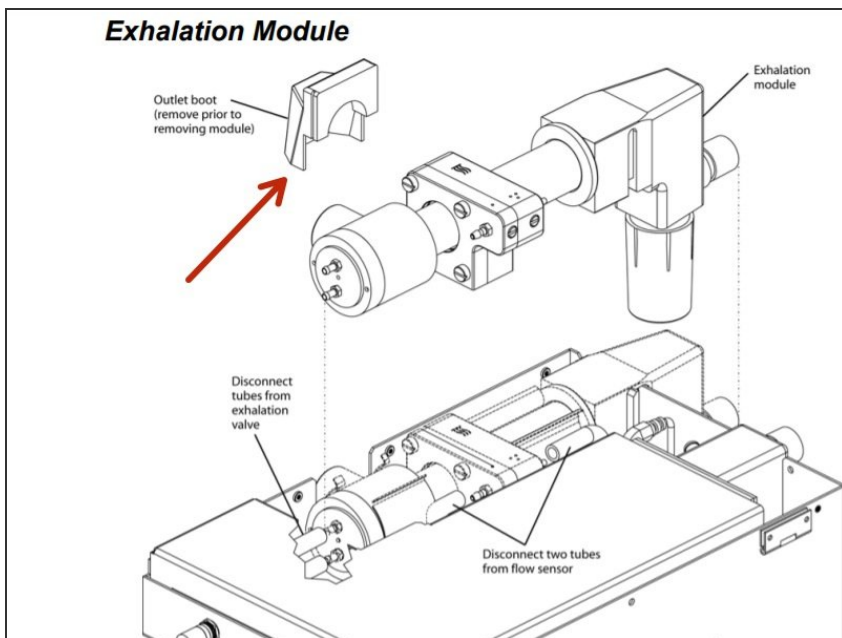
- Remove the four hex nuts and lock washers (two at each hinge) that secure the cover to the hinges on the left side of the pneumatic box.

Step 3



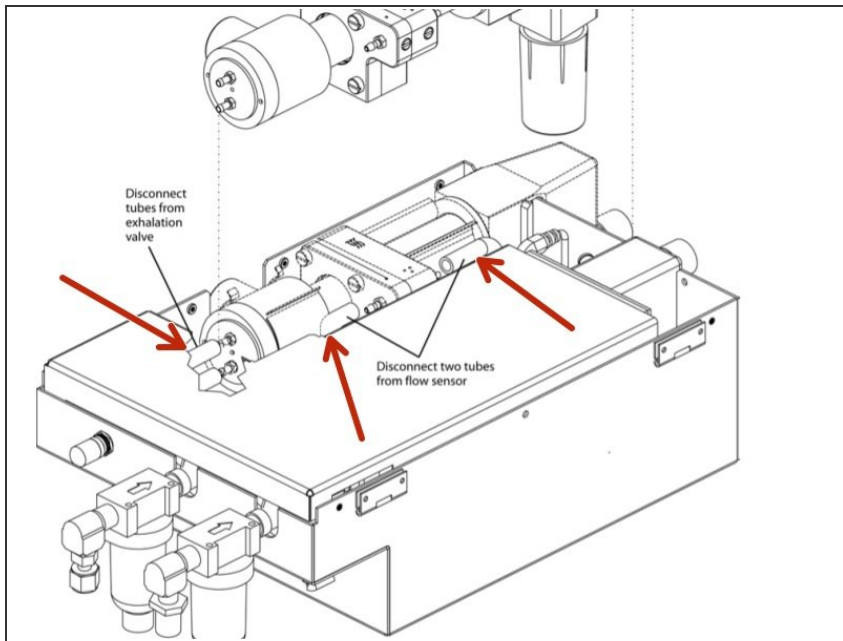
- Remove the cover and set aside. Retain hardware for re-assembly.

Step 4 — Newport e500 Exhalation Module Disassembly



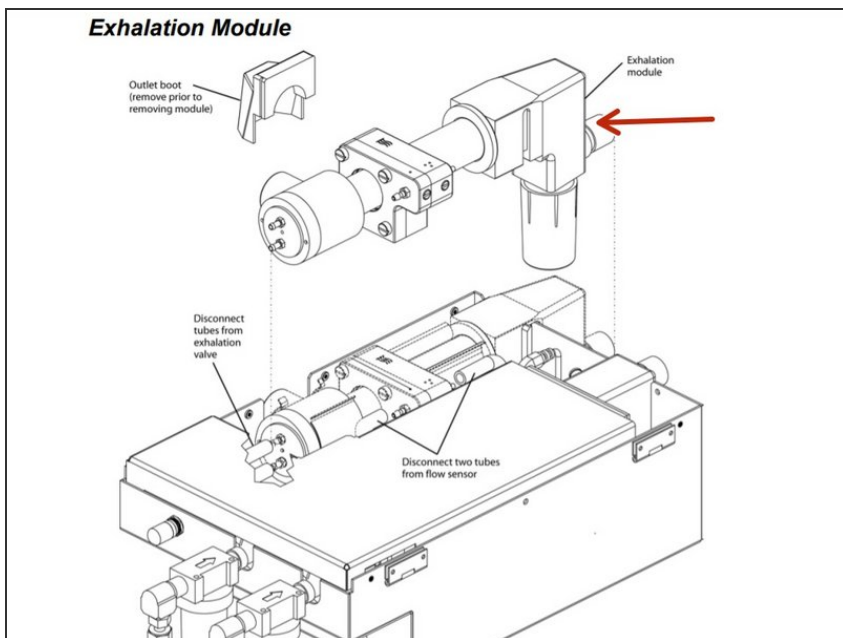
- Pull up and remove the flexible rubber exhalation outlet boot (push fit).

Step 5



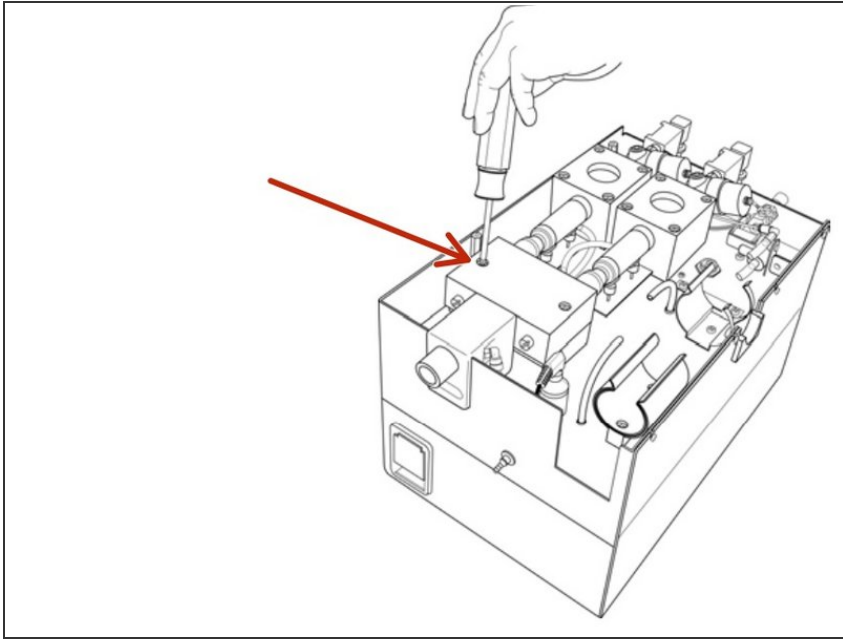
- Disconnect the tubes from both sides of the flow sensor and the two tubes from the exhalation valve.

Step 6



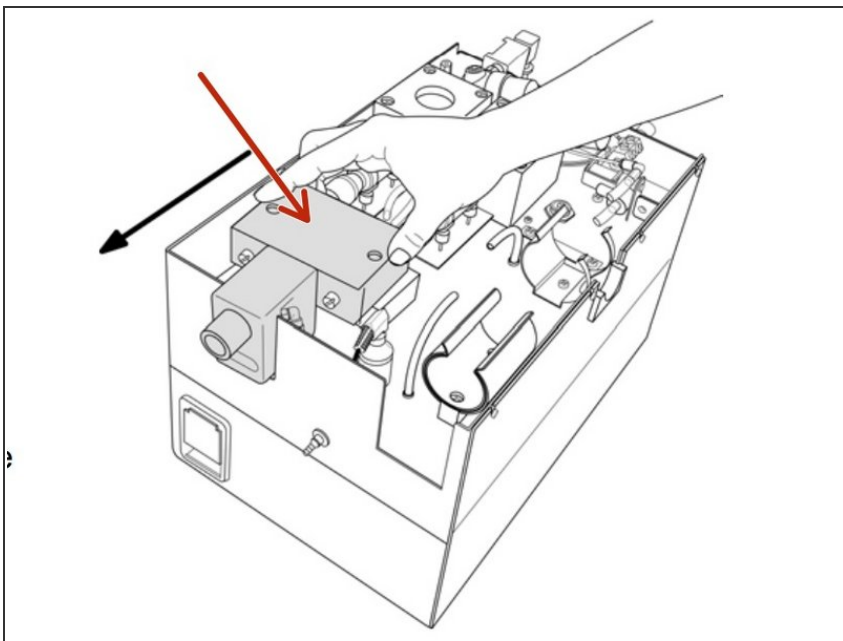
- Pull the exhalation module straight up to remove it from the GDU.

Step 7 — Newport e500 Air and Oxygen Flow Sensors Disassembly



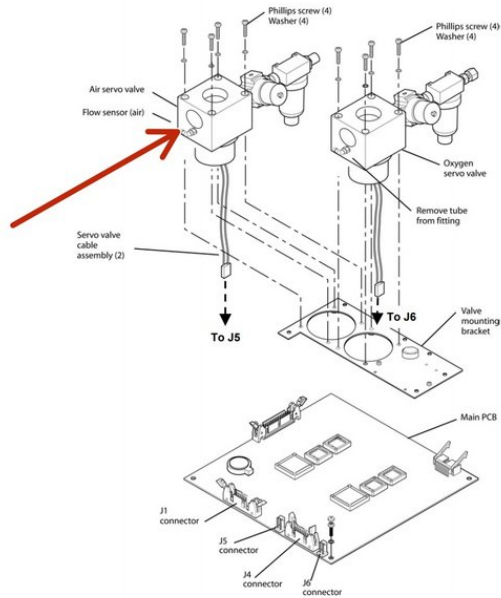
- Remove the 2 screws and washers securing the manifold/mixer assembly

Step 8



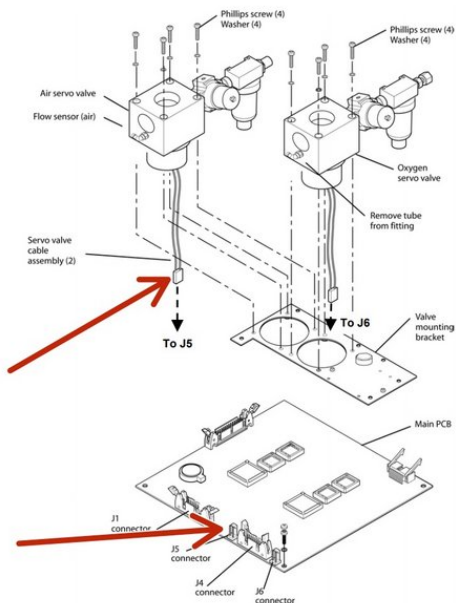
- Slide the manifold/mixer assembly forward to disengage the flow sensors

Step 9



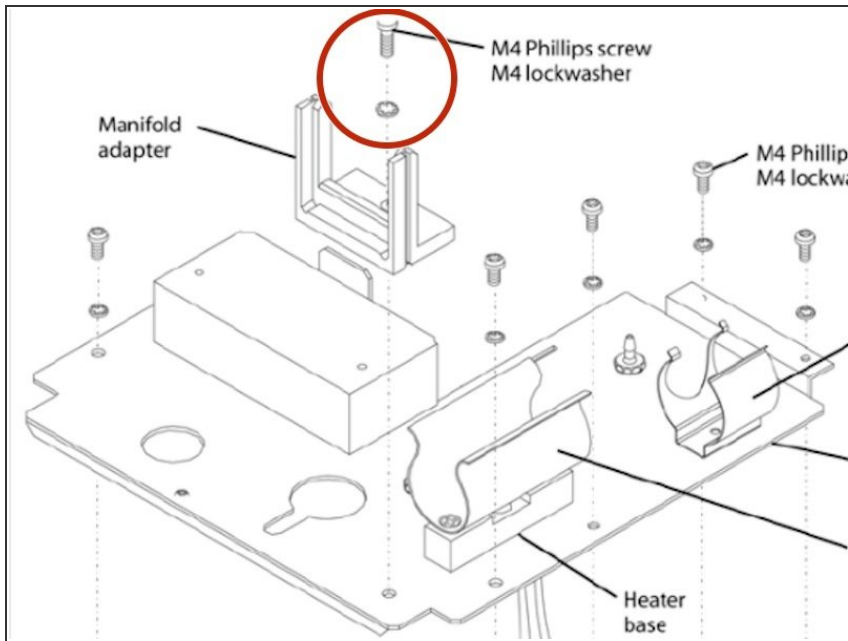
- Gently pull each flow sensor straight out from the servo valve, (the flow sensor push-fits into the servo valve port).

Step 10



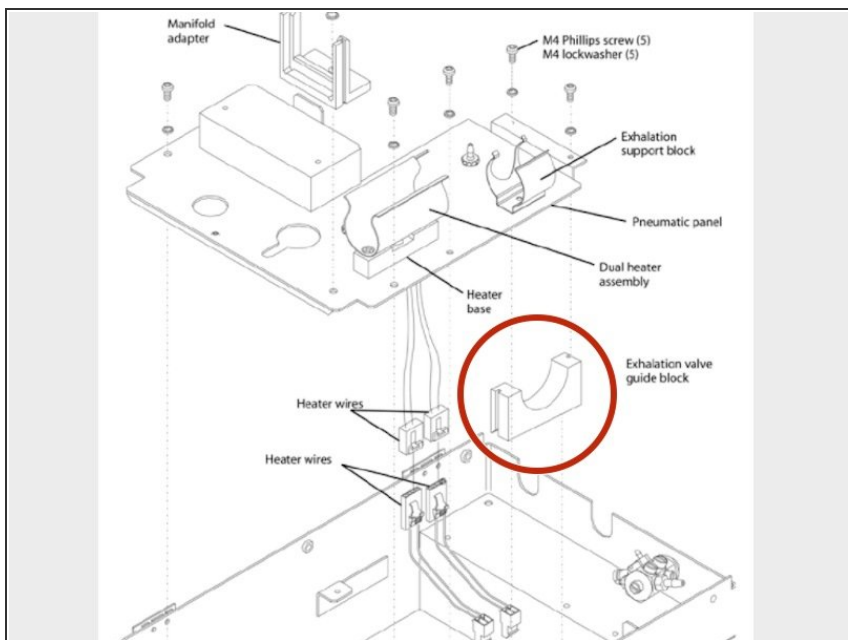
- Disconnect the flow sensor cable from its 10 pin connector at the underside of the flow sensor PCB and lift out the flow sensor.

Step 11 — Newport e500 Pneumatic Panel Disassembly



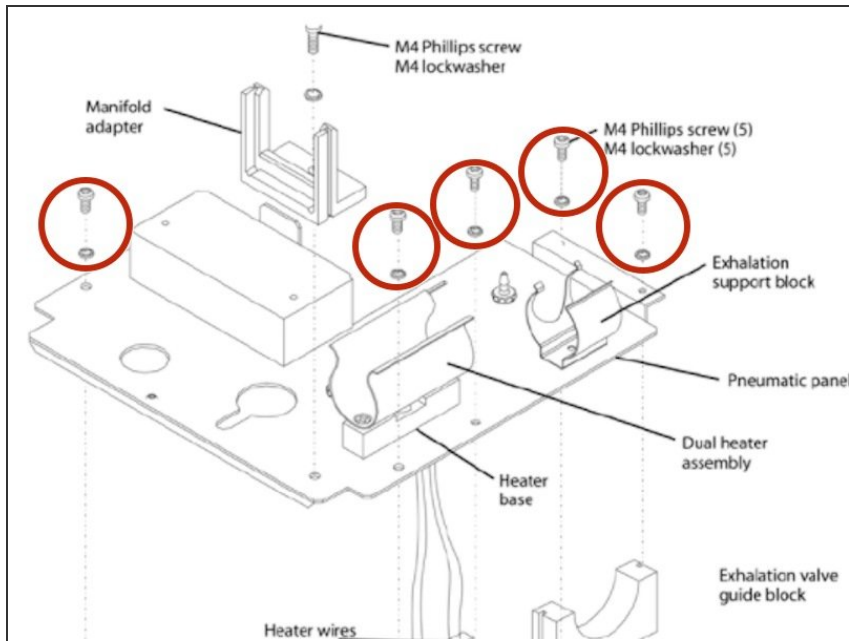
- Remove the screw and washer that secure the exhalation manifold support to the pneumatic panel.

Step 12



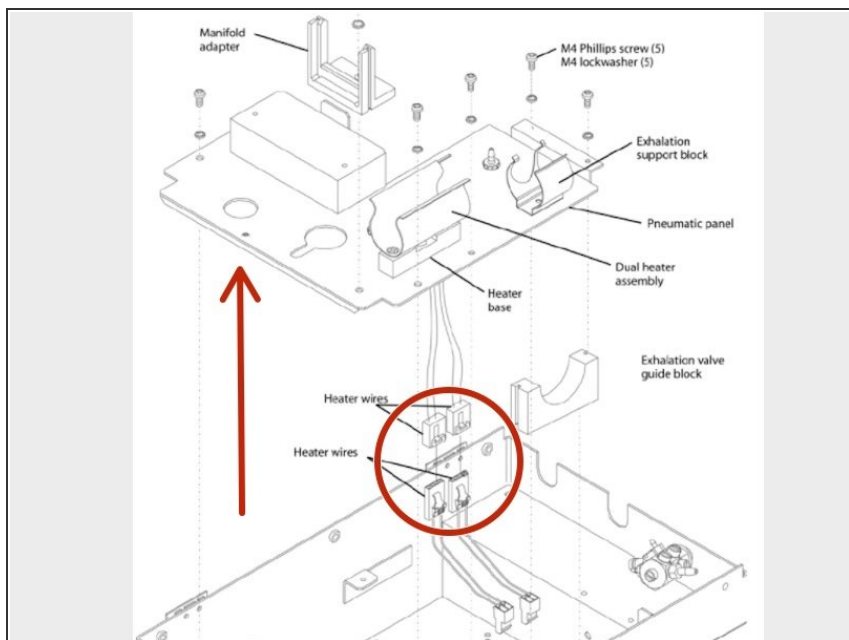
- Pull up on the exhalation valve guide block to remove it from the pneumatic box.

Step 13



- Remove the standoff and five screws and washers that secure the pneumatic panel to the pneumatic box.

Step 14



- Lift the pneumatic panel out of the box, and from the underside, detach all tubes and the heater wires that connect to the analog PCB.

To reassemble your device, follow these instructions in reverse order.