

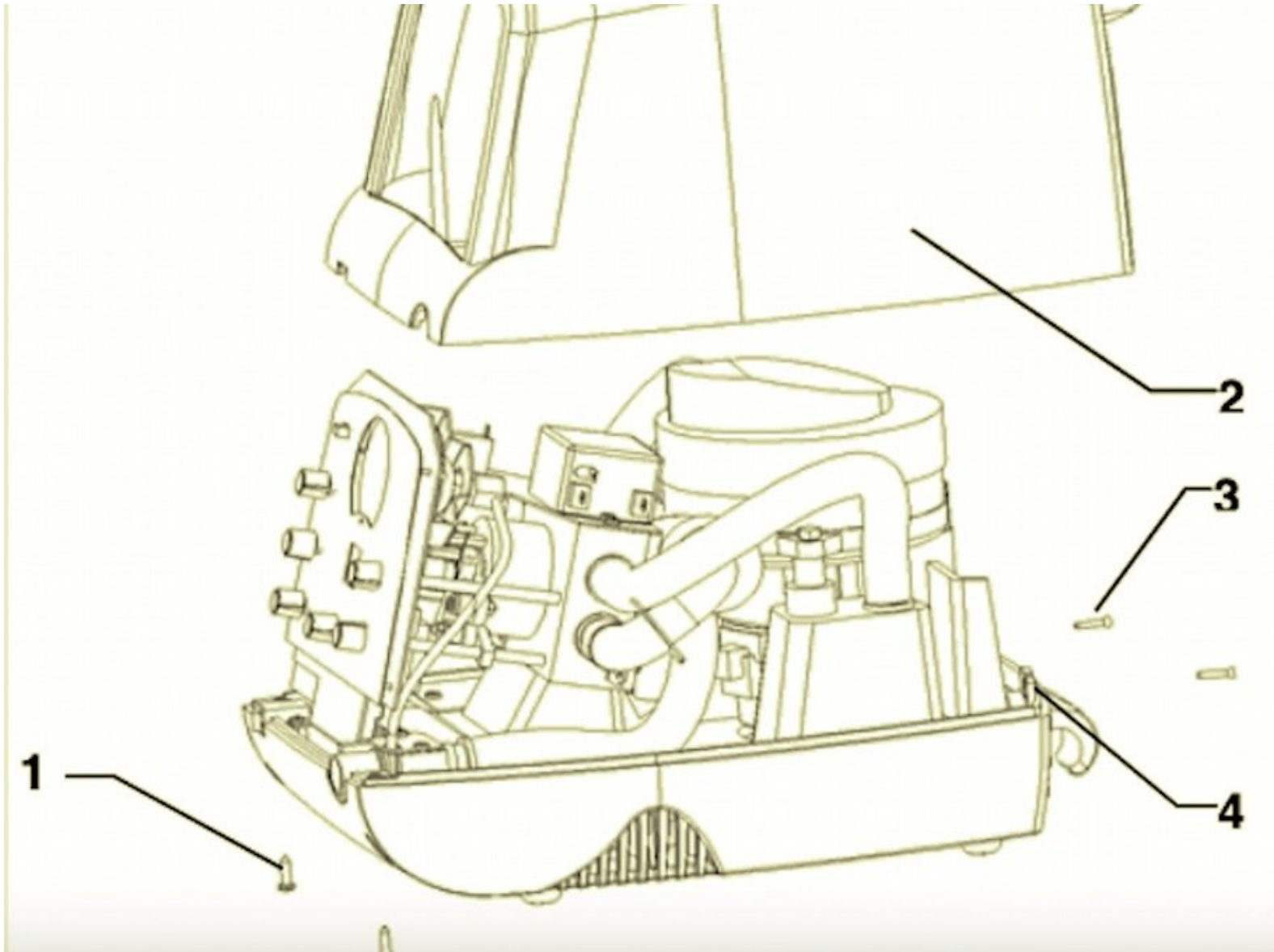


# Philips Emerson CoughAssist CA Series

## Disassembly

Disassembly of Philips Emerson CoughAssist CA ventilators. This guide shows the removal of the top cover and the front panel.

Written By: Zachary Stednitz



---

## INTRODUCTION

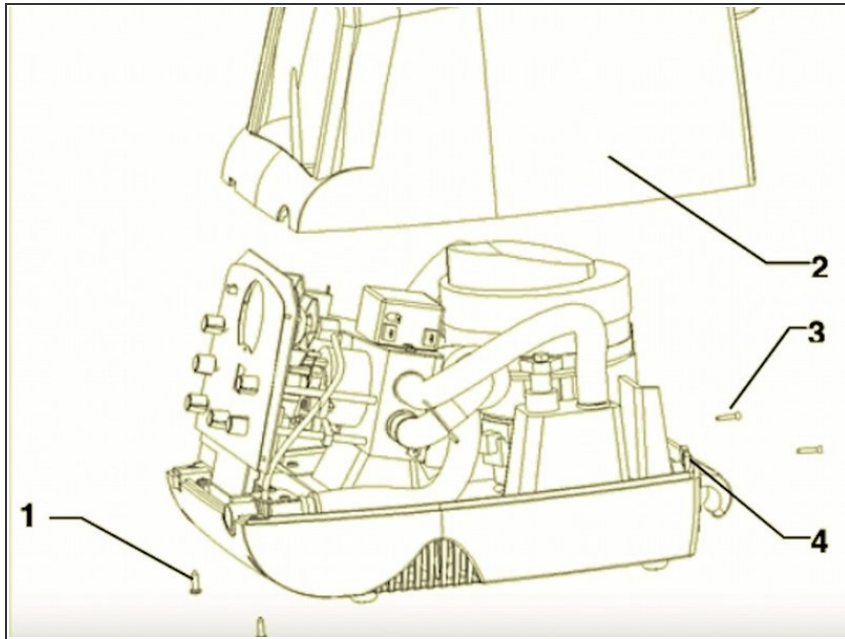
If your CoughAssist ventilator is acting up and not working correctly, the first step to replacing parts is always disassembling the main unit. This guide will allow you to start repairing almost any part within the ventilator.

---

### TOOLS:

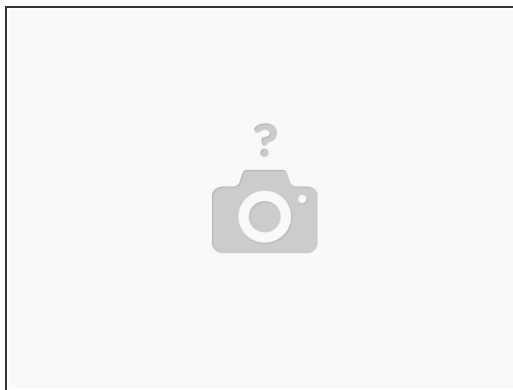
- [Phillips #0 Screwdriver](#) (1)

## Step 1 — Philips Emerson CoughAssist CA Series Disassembly



- First, remove the two 16mm pan head screws (1) directly under the front panel of the ventilator. (Page 3).

## Step 2



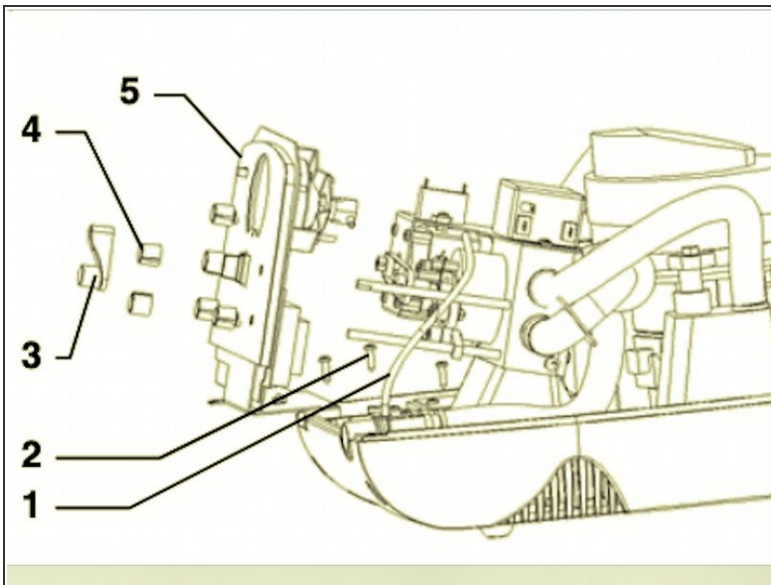
- Next, remove the two 16mm flat head screws (3) from the back panel of the ventilator. (Page 3).

### Step 3



- Lift off the top cover (2) of the device. (Page 3).

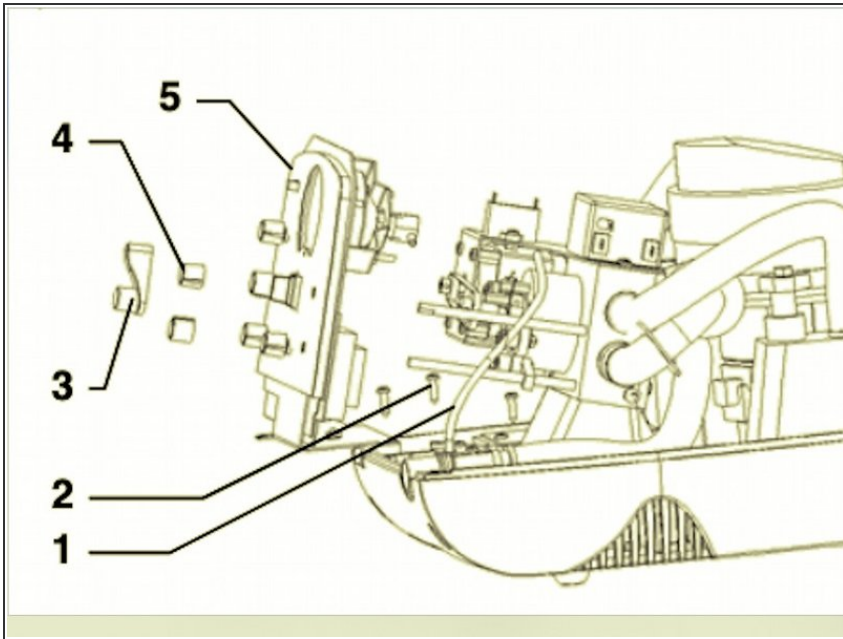
### Step 4



Item	Part No.	Description
1	226-7001	PLASTIC TUBE, 1/8"ID x 8"
2	829-3108	SCREW, PLASTITE #8X1/2" (3 EACH)
3	325-0252	KNOB, MANUAL (CM only)
4	632-3004	KNOB (2 EACH)
5	325-9202	FRONT PANEL ASSEMBLY FOR CA-3000
	325-9222	FRONT PANEL ASSEMBLY FOR CM-3000
	325-9226	FRONT PANEL ASSEMBLY FOR CA-3200
	325-9227	FRONT PANEL ASSEMBLY FOR CM-3200

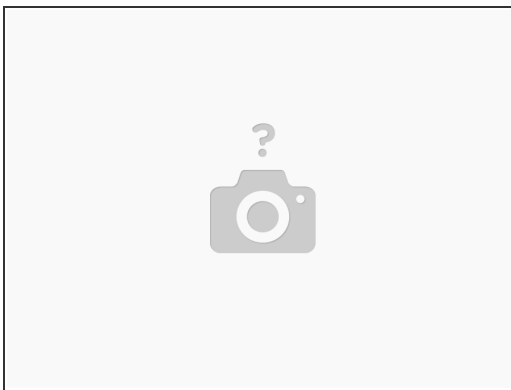
- Now remove the "Inhale flow" control knob (4) and "Inhale pressure" knob (4), by loosening the setscrew on each before pulling off. If you have a CM model, carefully remove the Manual Control Lever (3) by prying it off with the screwdriver. (Page 3).

## Step 5



- Unscrew the three 12.7mm plastite screws ( 2 ) holding the panel assembly to the lower housing. A long Phillips screwdriver is very helpful for access to the three screws. (Page 3)

## Step 6



- The front control panel (5) should now be loose. Carefully slide it forwards to remove. (Page 4).

To reassemble your device, follow these instructions in reverse order.