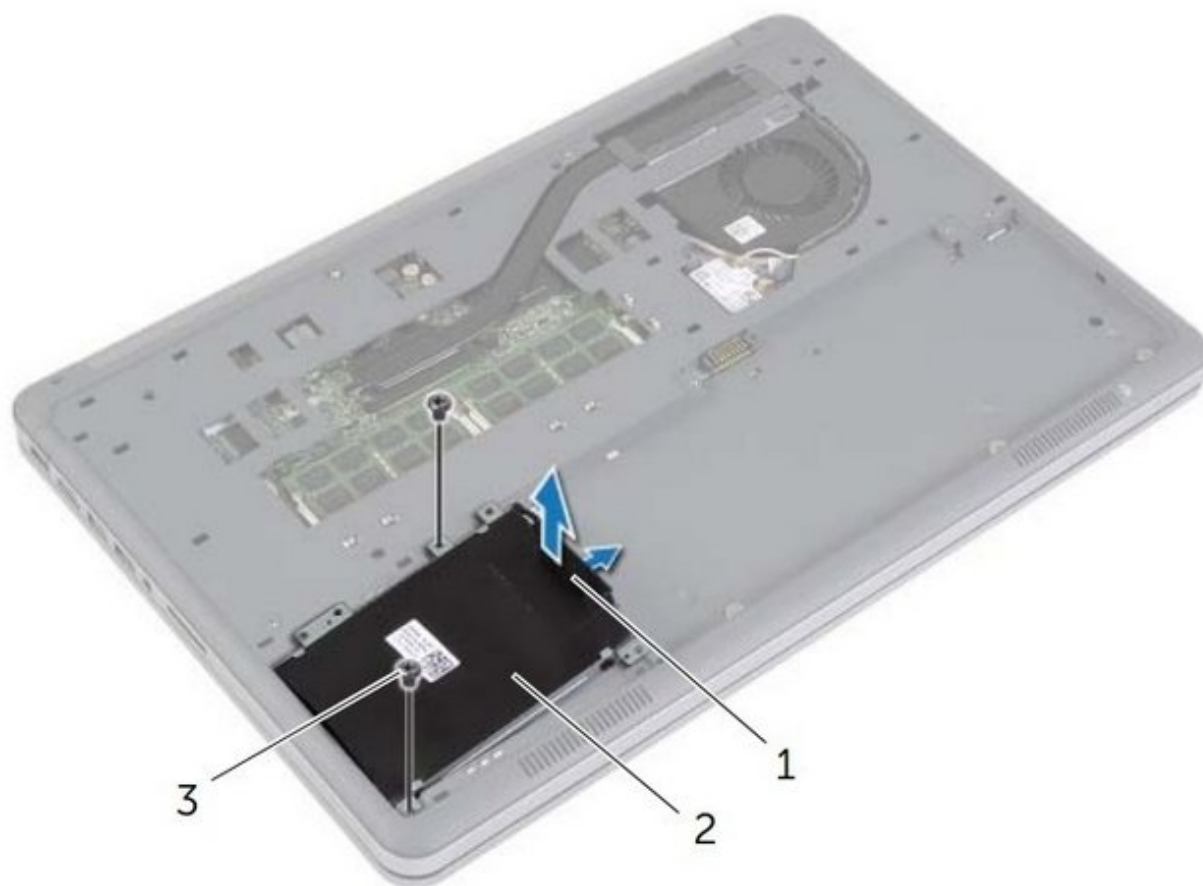




# Dell Inspiron 15-7537 Hard Drive Replacement

This guide shows you how to remove and replace the hard drive.

Written By: Jean Whitmore



---

1 pull-tab

2 hard-drive assembly

---

3 screws (2)

---

---

## INTRODUCTION

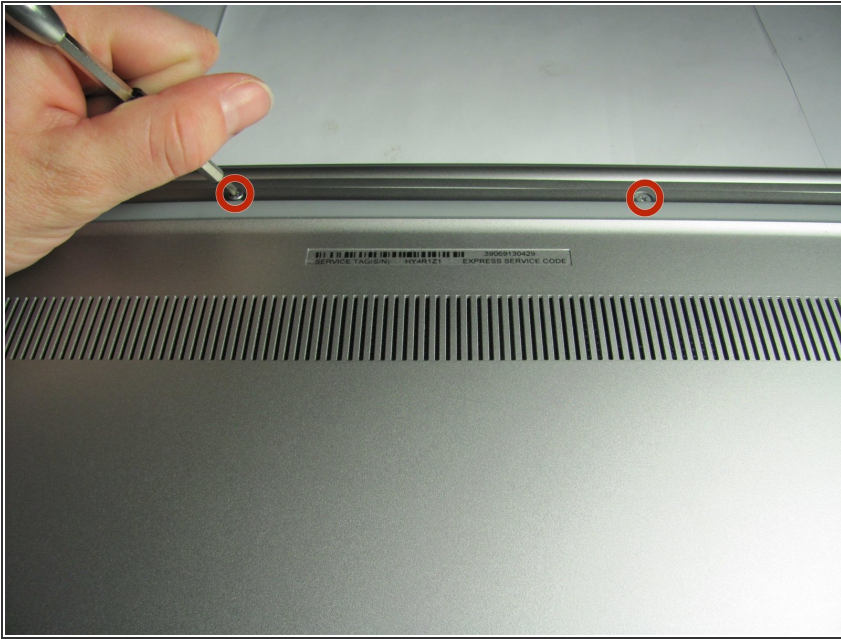
Because the model device does not have a hard drive, this is not a replacement guide, but merely a prerequisite guide for other removal guides.

---

### TOOLS:

- [Spudger](#) (1)
  - [Phillips #0 Screwdriver](#) (1)
-

## Step 1 — Bottom Case



- Make sure the display is closed. Then, flip the computer over so that you can see the bottom cover.
- Loosen the two 5 mm Phillips #0 on the upper edge of the cover.
- ⓘ These screws will stay captive to the case.

## Step 2



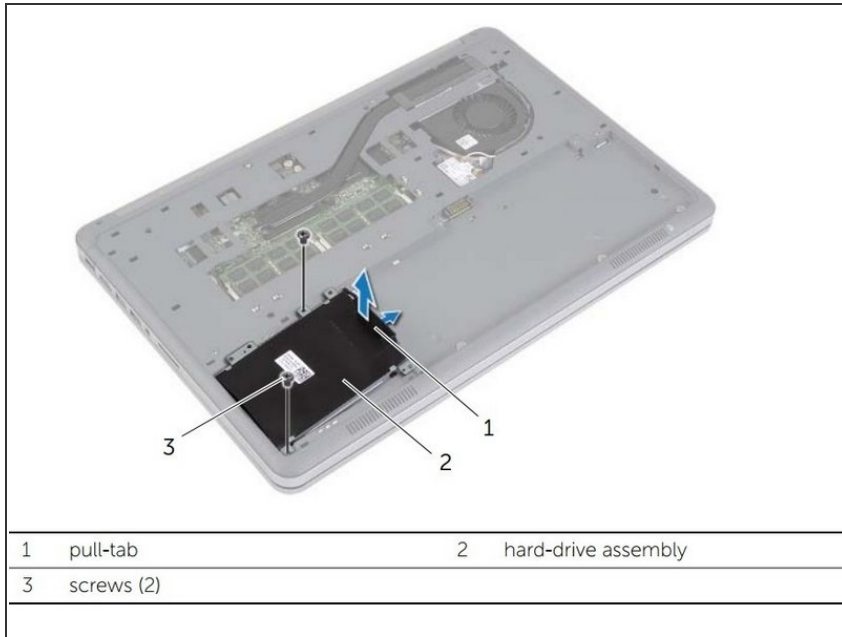
- Remove the two 5 mm interior screws that connect the cover to the assembly using the same Philips head screwdriver from the previous step.

## Step 3



- Use a spudger to remove the base cover from the rest of bottom cover.

## Step 4 — Hard Drive



- The model device did not come with a hard drive. However, you will need to remove the hard drive to proceed. Please remove the hard drive following the steps on [page 16 of the official Dell Inspiron 15-7537 manual](#).

To reassemble your device, follow these instructions in reverse order.