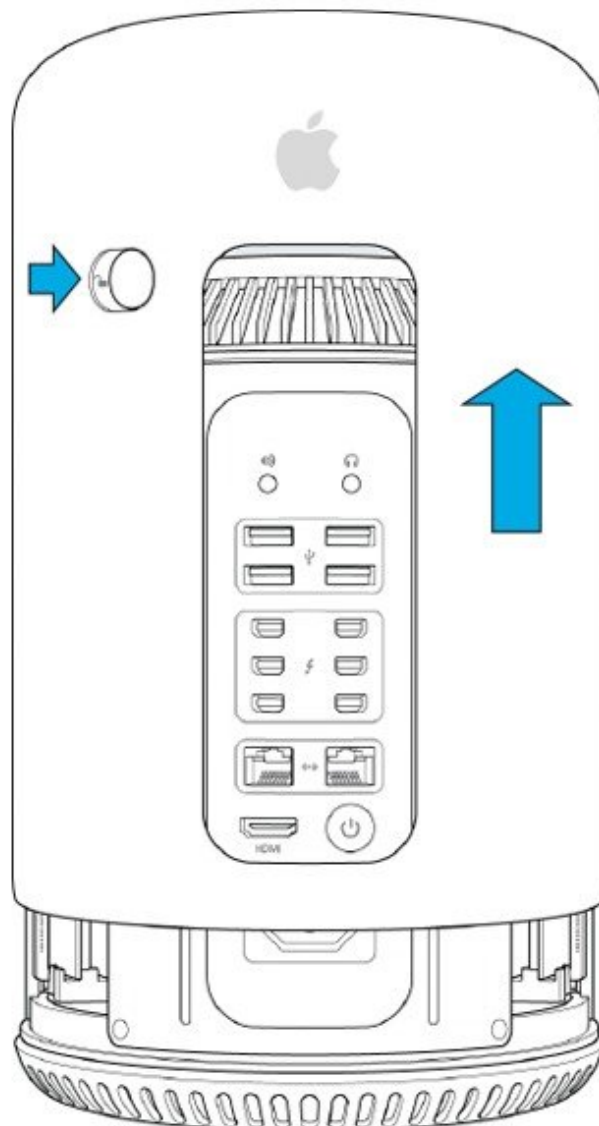




Mac Pro Late 2013 Enclosure Latch Replacement for Cable Lock

Switch out the enclosure latch with one containing a hole for attaching a cable lock.

Written By: Kemper Barkhurst



INTRODUCTION

This Guide walks you through the steps to replace the original enclosure latch with a version that contains a hole for attaching a cable lock. This solution also prevents the enclosure from being able to be opened.



TOOLS:

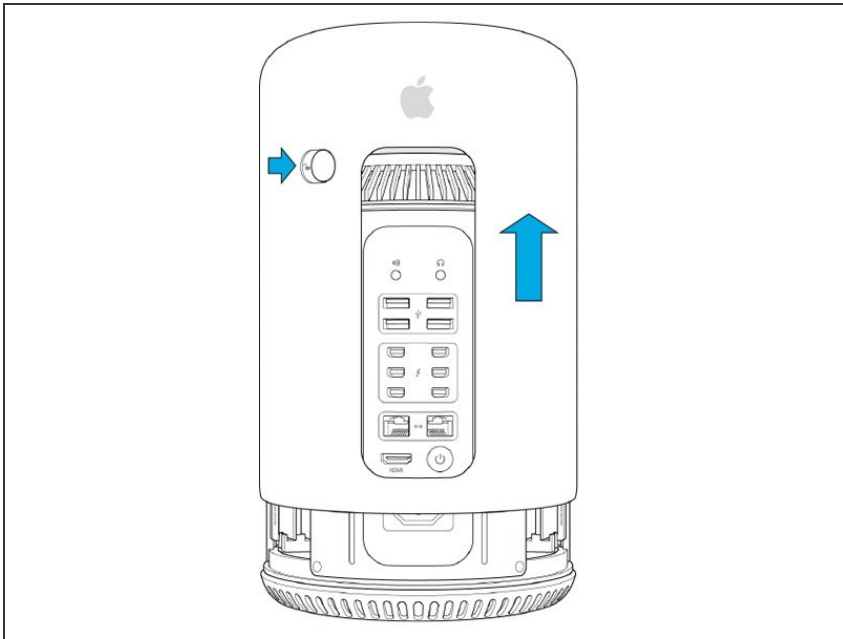
- [T5 Torx Screwdriver](#) (1)



PARTS:

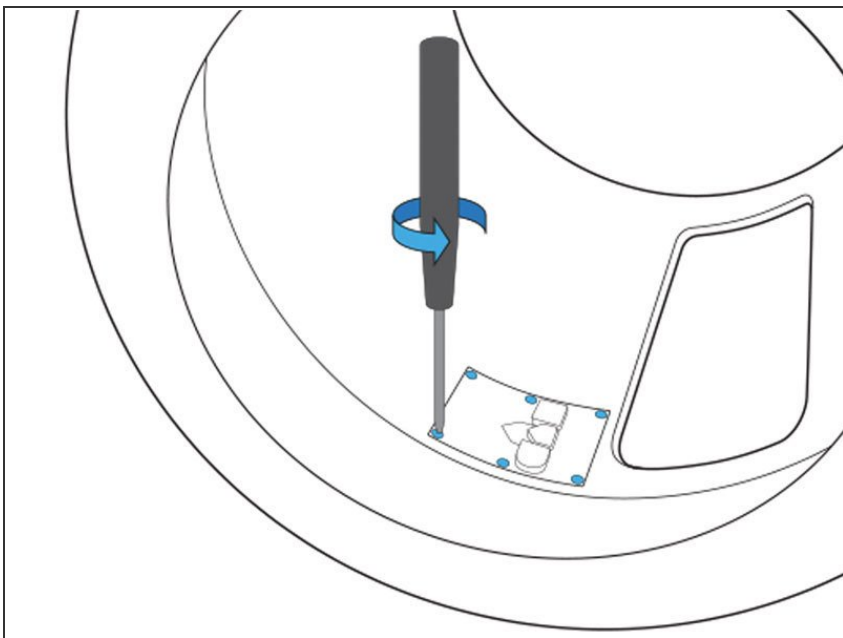
- [Mac Pro \(2013\) Replacement Latch for Cable Lock](#) (1)

Step 1 — Remove Enclosure



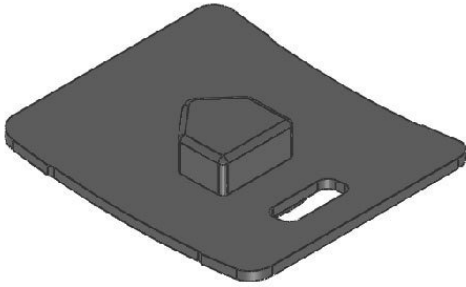
- Remove the enclosure by sliding the latch to the right and lifting the enclosure up.

Step 2 — Remove screws on retainer plate



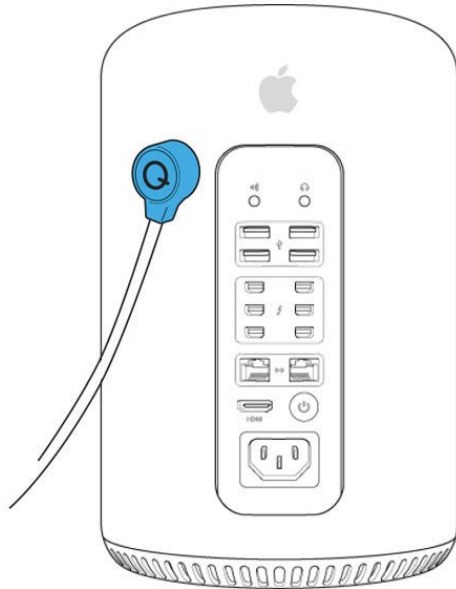
- Using a [T5 screwdriver](#), remove the six screws retaining the latch on the inside of the enclosure and lift out the retainer plate.

Step 3 — Replace latch with modified version



- Remove the original latch, install the [replacement latch](#) with Kensington lock hole, and restore the retainer plate and six screws.

Step 4 — Install Cable Lock



- Return the enclosure and slide the latch back to the left. Install cable lock into the exposed hole.

This guide will help you secure your Mac Pro (2013) with any cable lock.