



How to reset the print counter to zero

Resets to zero the number of printed pages counted by the cartridges using an Arduino card.

Written By: MattMich

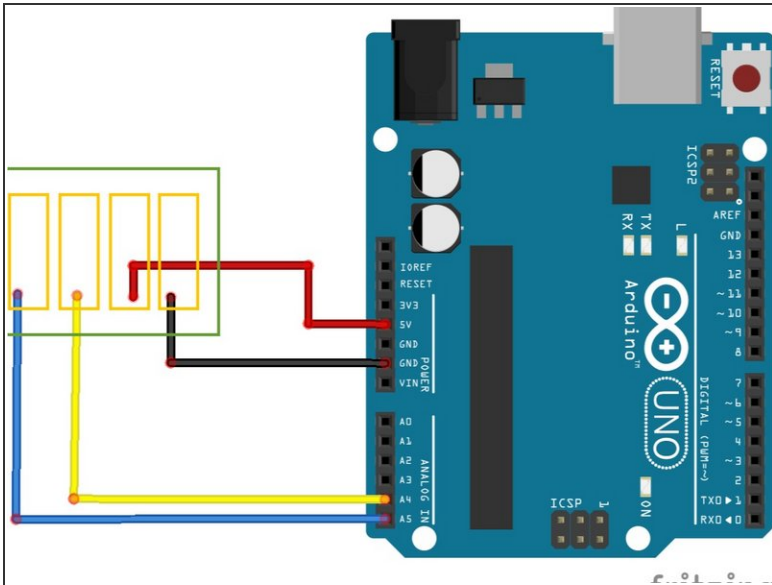


Step 1 — Find the electronic contact card



- On the side of the cartridge is a small electronic contact card with 4 contacts.
- For those who are interested in transposing on other models, at the back of the contact card point is a EEPROM BR24L01A-W type memory.

Step 2 — Prepare the Arduino



- The EEPROM can be reprogrammed thanks to an Arduino UNO card, for instance.
- Prepare an Arduino UNO card with the following pins:
 - Pin 1 (SCL) connected to A5
 - Pin 2 (SDA) connected to A4
 - Pin 3 (5V) connected to the 5V port on the Arduino card
 - Pin 4 (GND) connected to GND on the Arduino card.

Step 3 — Programming

```

C:\touchelprimanteEEPROM Streaming.h Wire.h Moniteur série
1 #include <Wire.h> //I2C library
2 #include <Streaming.h>
3
4 typedef enum
5 {
6   CYAN = 0,
7   JAUNE = 1,
8   MAGENTA = 2,
9   NOIR = 3
10 } t_Color;
11
12 String serialInputString = "";
13
14 byte* buffers_neuf[4];
15 int addresses_device[4];
16
17 byte buffers_neufCYAN[128] = { 168,0,1,3,50,2,1,255,100,0,52,48,54,52,56,49,9,8,65,66,24,0,19,53,255,
18 byte buffers_neufJAUNE[128] = { 168,0,1,2,50,4,1,255,100,0,52,48,54,52,55,56,9,8,65,66,17,0,19,84,255
19 byte buffers_neufMAGENTA[128] = { 168,0,1,3,50,3,1,255,100,0,52,48,54,52,56,49,9,8,65,66,24,0,21,21,2
20 byte buffers_neufNOIR[128] = { 168,0,1,3,50,1,1,255,100,0,52,48,54,52,55,57,9,16,65,66,22,0,52,50,255
21
22 bool written = false;
23
24 void setup()
25 {
26   Wire.begin(); // initialise the connection
27   Serial.begin(115200);
28
29   addresses_device[CYAN] = 0b1010010;

```

- Download the ICI program file
- Start Arduino and open the .ino file
- Upload the program to the Arduino Uno board
- Launch the serial monitor via the button at the top right
- Make contact on the cartridge card. The 4 contacts need to work well at the same time
- Follow the instructions to reprogram the memory according to the correct color (Black, Cyan, Magenta, Yellow)

By reinstalling the cartridge in the printer, it identifies it as 100% full!