

INTRODUCTION

Overview of the Nokia N95 hardware with circuit diagrams and labeled chips. See www.phoneWreck.com for more [detailed information](#) on the Nokia N95 and other devices.

Nokia produced [this disassembly guide](#), which you can also use to help disassemble your phone.

TOOLS:

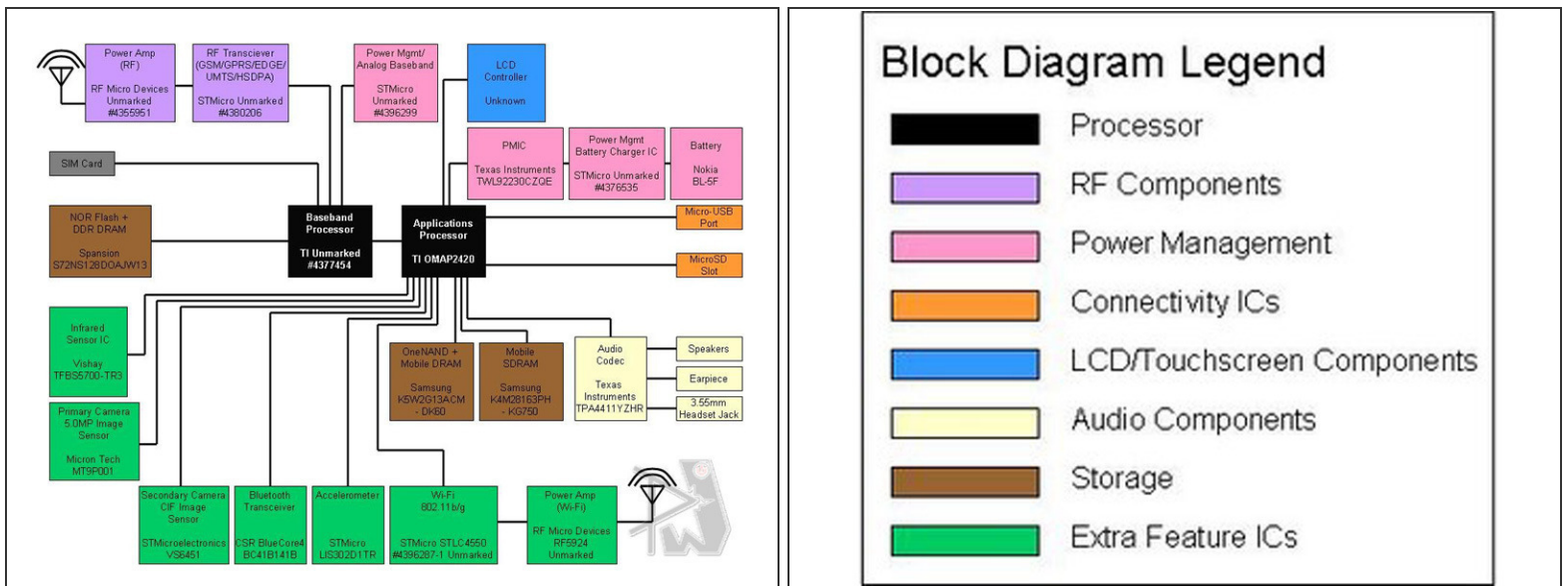
- [iFixit Opening Tools](#) (1)
 - [Spudger](#) (1)
 - [64 Bit Driver Kit](#) (1)
-

Step 1 — Nokia N95 Teardown



- i** It should be noted that this model is the N95-1 with the expandable MicroSD card storage.
- The N95 was a tough one to crack open since there were more mechanical parts than a traditional smartphone, with dual-sliding modes. This one was totally worth it though, as we were treated to a bevy of ICs, resistors, and the whole lot of circuitry.

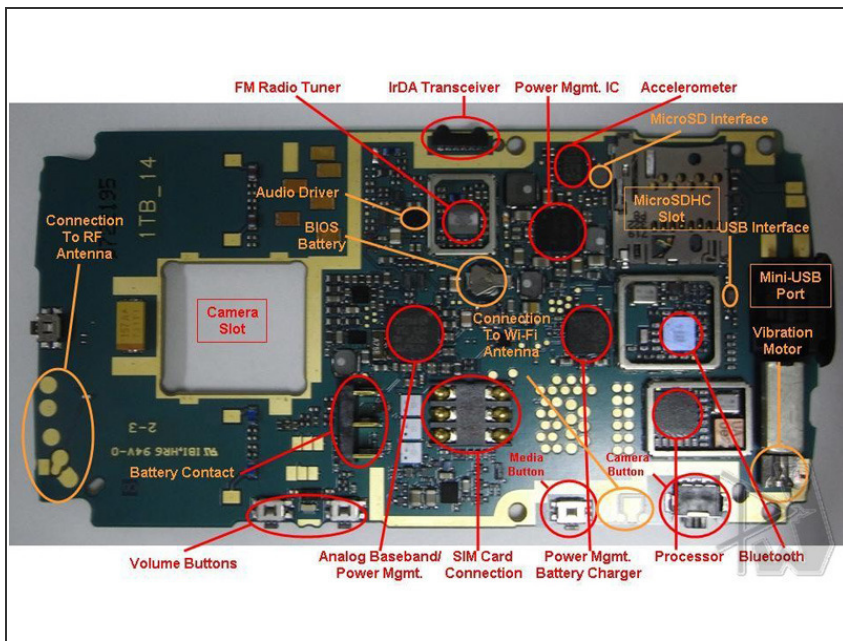
Step 2



i It's got three different memory units, one Spansion and two Samsungs, which we've made logical guesses as to which processor they served.

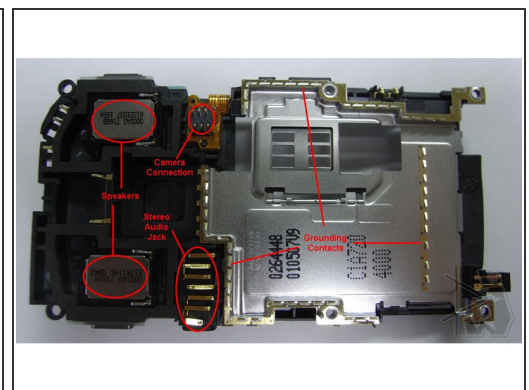
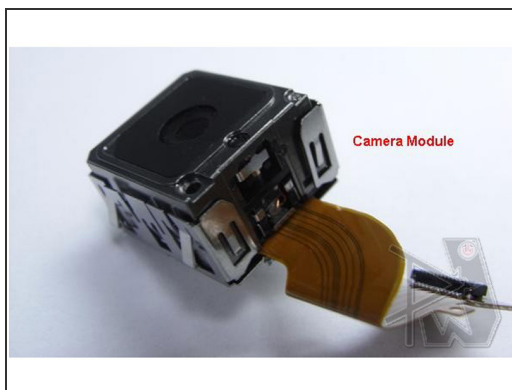
- It runs an unmarked TI baseband processor and a TI OMAP2420 apps processor.
- The dual processor makes for relatively complex circuitry, but the performance capabilities of the N95 really demonstrate the prowess of having an extra applications processor to do the dirty work.

Step 3



- The back of the main PCB is shown below. The primary IC diagram can be found [here](#).
- The interesting thing about the N95 is that since the screen is on a separate mount, both sides of the PCB can be used. This, however, does cause the device to be a little bulkier than its candybar-form-factored friends.

Step 4



- Finally, the camera module. This 5.0MP camera, with the image sensor developed by Micron Technologies, was the leading cameraphone back in the day, and its beastly size definitely attests to that.
- For a full bill of materials and even more pictures, visit the [Nokia N95](#) wiki page.